



THERMODYNE STEAM TRAP

MODEL A46S/A50S/A65S

THERMODYNAMIC DISC TRAP WITH THERMOSTATIC AIR VENTING

Benefits

Inline repairable trap with carbon steel weldability for steam mains, tracers and coils.

1. Inline replaceable valve module to lower repair costs.
2. Air jacketing reduces no-load cycling and extends life.
3. Quick thermostatic air venting with bimetal ring for fast start-up.
4. Lapped disc provides steam-tight seal without air binding for long life.
5. Built-in screen for extended trouble-free service.
6. Hardened stainless steel working surfaces for long life.



Specifications

Model	A46S	A46SR		A46SW		A50S	A65S	
Connection	Screwed, Socket Weld	Screwed, Socket Weld	Flanged	Screwed	Socket Weld	Screwed, Socket Weld	Screwed	Socket Weld
Size (in)	1/2, 3/4, 1	1/2, 3/4, 1	1/2, 3/4, 1	1	1	1/2, 3/4, 1	1/2, 3/4, 1	1/2, 3/4, 1
Maximum Operating Pressure (psig) PMO	650			5		710		925
Minimum Operating Pressure (psig)				800				
Maximum Operating Temperature (°F) TMO				800				
Maximum Allowable Pressure (psig) PMA	925			650		925		
Maximum Allowable Temperature (°F) TMA				800				
Maximum Back Pressure	80% of Inlet Pressure							

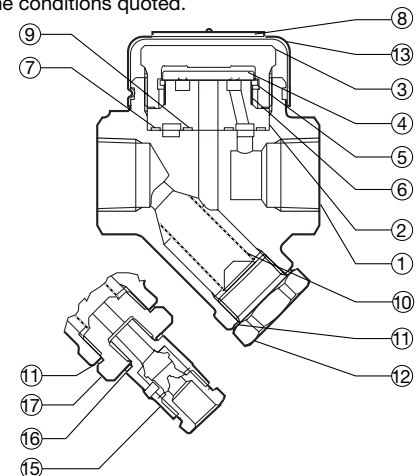
Connections and sizes in bold are standard

No.	Description	Material	ASTM/AISI ¹⁾	JIS
①	Body	Carbon Steel	A105	—
	Body (A46SW)	Cast Steel	A216 Gr. WCB	—
② ^R	Module Valve Seat	Stainless Steel	AISI420F	SUS420F
	Module Valve Seat (A50S, A65S)	Stainless Steel	AISI440C	SUS440C
③ ^R	Inner Cover	Stainless Steel	AISI420	SUS420J2
④ ^R	Disc	Stainless Steel	AISI420	SUS420J2
	Disc (A50S, A65S)	Stainless Steel	AISI440C	SUS440C
⑤ ^R	Disc Holder Ring	Stainless Steel	AISI420F2	SUS420F2
	Disc Holder Ring (A50S, A65S)	Stainless Steel	AISI630	SUS630
⑥ ^R	Air Vent Ring	Bimetal	—	—
⑦ ^{MR}	Outer Module Gasket	Stainl. Stl./Graphite	AISI316L	SUS316L
⑧	Nameplate	Stainless Steel	AISI304	SUS304
⑨ ^{MR}	Inner Module Gasket	Stainl. Stl./Graphite	AISI316L	SUS316L
⑩ ^R	Screen	Stainless Steel	AISI430	SUS430
⑪ ^{MR}	Screen Holder Gasket	Soft Iron	AISI1010	SUYP
⑫	Screen Holder	Carbon Steel	A105	—
⑬	Cap	Stainless Steel	AISI304	SUS304
⑭	Flange ⁴⁾	Carbon/Cast Steel ³⁾	A105/216 Gr. WCB	—
⑮	Blow-off Valve BO2 ²⁾	Stainless Steel	AISI420F	SUS420F
⑯	Blow-off Valve Gasket ²⁾	Soft Iron	AISI1010	SUYP
⑰	Screen Holder for BO2 ²⁾	Carbon Steel	A105	—
⑱	Socket (A50S, A65S) ⁴⁾	Carbon Steel	A105	—

¹⁾ Equivalent ²⁾ Option ³⁾ Material depends on flange specifications ⁴⁾ Shown on reverse
Replacement kits available: (M) maintenance parts, (R) repair parts



To avoid abnormal operation, accidents or serious injury, DO NOT use this product outside of the specification range. Local regulations may restrict the use of this product to below the conditions quoted.

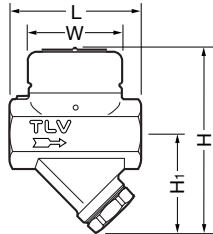


Copyright © TLV

Dimensions

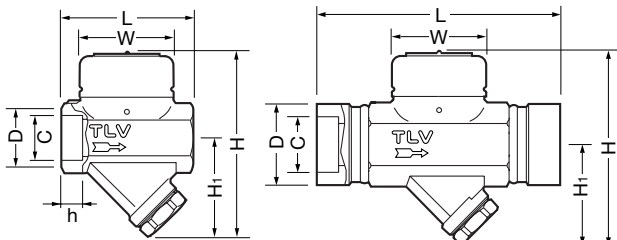
● **A46S/A46SR/A46SW/A50S/A65S**

Screwed



● **A46S/A46SR/A46SW/A50S/A65S**

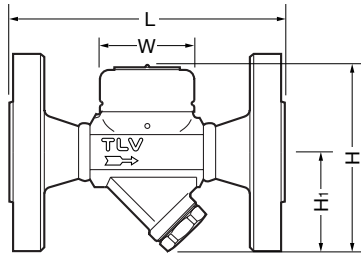
Socket Weld



Size 1" (A50S, A65S)

● **A46SR**

Flanged



A46S/A46SR/A46SW/A50S/A65S Screwed* (in)

Model	Size	L	H**	H1**	φW	Weight (lb)
A46S	1/2	3 1/8	4 7/16	2 7/16	2 1/4	2.6
A46SR	3/4					
A50S	1	3 7/16	4 5/8	2 7/16	2 5/8	3.1
A65S						
A46SW	1	3 7/16	4 7/8	2 7/16	2 5/8	3.5

* NPT, other standards available

** With optional BO2, add 7/8" to H and H1

A46S/A46SR/A46SW/A50S/A65S Socket Weld (in)

Model	Size	L	H*	H1*	φW	φD	φC	h	Weight (lb)
A46S	1/2	3 1/8	4 7/16	2 7/16	2 1/4	1 3/16	7/8	1/2	2.6
A46SR	3/4					1 7/16	1 1/16		
A46SR	1	3 7/16	4 9/8	2 7/16	2 5/8	1 3/4	1 3/8	9/16	3.1
A46SW	1	3 7/16	4 7/8			1 3/4	1 3/8	9/16	3.5
A50S	1/2	3 1/8	4 7/16	2 7/16	2 1/4	1 3/16	7/8	1/2	2.6
A65S	3/4	3 7/16	4 5/8			1 3/4	1 1/16		
A65S	1	5 7/8	5 1/2	2	1 3/8	9/16	3.7		

* With optional BO2, add 7/8" to H and H1

A46SR Flanged (in)

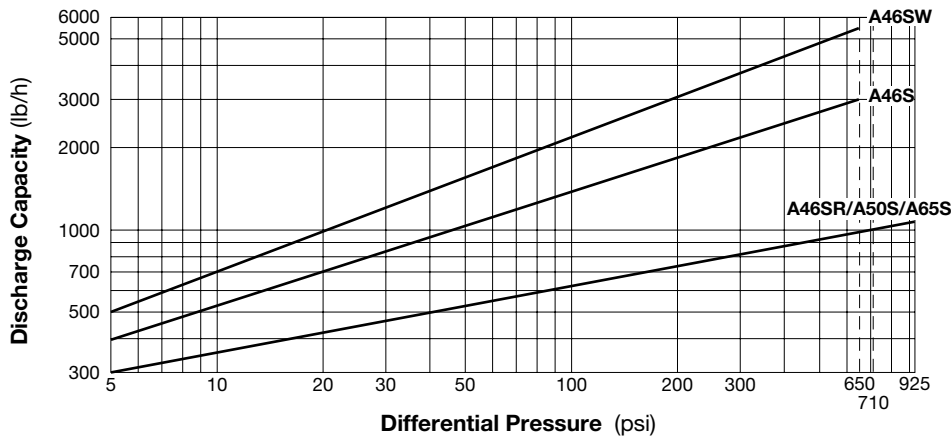
Model	Size	L			H*	H1*	φW	Weight** (lb)
		ASME Class						
		150RF	300RF	600RF				
A46SR	1/2	5 1/2	5 1/2	5 1/2	4 7/16	2 7/16	2 1/4	7.3
	3/4	6 1/2	6 1/2	6 1/2				10
	1	8 1/4	8 1/4	8 1/4				14

Other standards available, but length and weight may vary

* With optional BO2, add 7/8" to H and H1

** Weight is for Class 600 RF

Discharge Capacity



1. Differential pressure is the difference between the inlet and outlet pressure of the trap.
2. Recommended safety factor: at least 2.

TLV CORPORATION

13901 South Lakes Drive, Charlotte, NC 28273-6790
 Phone: 704-597-9070 Fax: 704-583-1610
 E-mail: tlv@tlvengineering.com
 For Technical Service 1-800 "TLV TRAP"



Manufacturer
TLV CO., LTD.
 Kakogawa, Japan
 is approved by LRQA Ltd. to ISO 9001/14001

ISO 9001/ISO 14001

